

# Product overview

CANTO nxt

KELVIN comfort

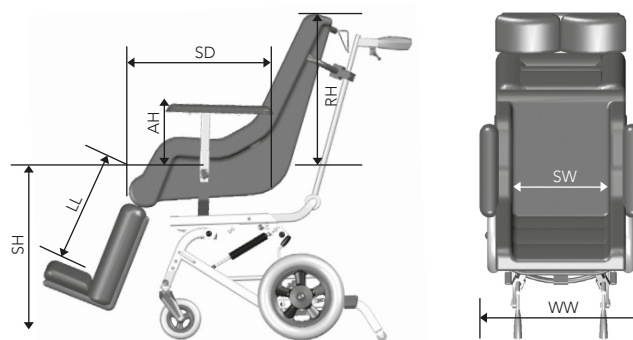
CANTO NXT + KELVIN COMFORT - BASIC MODEL		
<b>Mobility</b>	<b>Seat support</b>	<b>Seating functions</b>
Semi-solid tyres Central footbrake Angle- and height adjustable push-handles Integrated trap caps Anti-tipping supports <sup>1</sup> Taxi attachment for four-point securing <sup>2</sup> Frame colour Midnight blue	Kelvin Comfort seat S40 Standard sidepillows Seat cushion flat Classic leg support	Seat angle adjustment (range 0-30°) Single adjustable back angle Seat angle adjustment Seat height 51 cm (200x42/12,5")



Delivery time (excl. transport)

On request

Abbr.	Measurement points	Specifications
SW	Seat width*	S=34-40 / M=40-46 / L=46-52 cm
SD	Seat depth*	40 - 48 cm / 48 - 56 cm / 56 - 64 cm
SH	Seat height	51 / 56 cm
BH	Backrest height	55 cm
AH	Armrest height	17 - 26 cm (6 positions)
WW	Width of wheelchair	63 / 63 / 68 cm
	Width of wheelchair + Aura Push support	72 cm
LL	Lower leg length:**	
	Comfort legrest	45 - 60 cm
	Central legrest	48 - 64 cm / 59 - 76 cm
	Flex leg support	30 - 44 cm
	Classic leg support	30 - 50 cm
	Swing leg support	38 - 50 cm
	Seat angle adjustment	0 - 30°
	Backrest angle adjustment	Single adjustability
	Maximum user weight	125 kg
	Conforms to	EN 12182, EN 12183, ISO 7176-19 (Crashtest safe)



Do not use this wheelchair to carry a person during transport in taxi buses.

\* The minimum size is measured on the seat cushion. Adding more or less filling to the Kelvin cushions allows the seat width and depth to be individually adjusted.

\*\* In combination with seat cushion with wedge-shaped front the lower leg length is + 8cm

1 In connection with preventative safety, anti-tipping supports are supplied as standard and the rear wheels will be assembled in the back position.

2 Canto Nxt Kelvin is crash test-proof conform ISO 7176-19



# Product overview

## Contact details

Dealer's name \_\_\_\_\_  
 Contact \_\_\_\_\_  
 Date \_\_\_\_\_  
 Order number \_\_\_\_\_

## MODEL

CK000000000 Canto Nxt Kelvin

Please tick what is required! The options listed may be subject to an additional charge.

## PUSH ASSIST

CK200000080 Aura Push support<sup>1</sup>  
*Auxiliary drives in rear wheels with semi-solid tyres, automatic parking brake<sup>2</sup>, controller & lightweight Li-ion battery under seat, 200x42 (8") front wheels with semi-solid tyres & aluminium forks + charger. Control unit on angle-adjustable push handle equipped with forward and reverse functionality, rotating knob with off position, 4 adjustable speeds + indoor position and including battery incidence.*

---

CK200030030 Thumb control left  
 CK200040030 Thumb control right  
 CK200040050 Squeeze control right  
 CK200040040 Aura manoeuvringfunction for thumb- and squeeze control right<sup>3</sup>

1 Always choose a control mode  
 2 Canto Nxt braking systems are not required due to Aura's automatic parking brake  
 3 Manoeuvring lever only possible in combination with control unit right

## FRAME

**Seat height**

CK040000050 51 cm (200x42 / 12½")  
 CK040000060 56 cm (200x42 / 12½")

## WHEELS

**Rear wheels<sup>1</sup>**

CK060000020 Semi-solid tyres  
 CK060000010 Pneumatic tyres<sup>2</sup>

1 In connection with preventative safety, anti-tipping supports are supplied as standard and the rear wheels will be assembled in the back position.  
 2 Not possible in combination with Aura Push Support

## Brake options<sup>1</sup>

CK070000010 Standard foot brake with 1 brake-handle (right)  
 CK070000020 Standard foot brake with 2 brake-handles  
 CK070000030 Drum brakes operated by accompanying person

1 Canto Nxt braking systems are not required due to Aura's automatic parking brake

## SEAT SUPPORT

**Kelvin Comfort seat<sup>1</sup>**

CK230000010 Size S40  
 CK230000020 Size S48  
 CK230000030 Size M40  
 CK230000040 Size M48  
 CK230000050 Size M56  
 CK230000060 Size L48  
 CK230000070 Size L56  
 CK140000070 Headrest adapter

1 Measurements of Kelvin Comfort seat:

	SW	SD	BH	WW
Size S40	34-40 cm	40-48 cm	55 cm	63 cm
Size S48	34-40 cm	48-56 cm	55 cm	63 cm
Size M40	40-46 cm	40-48 cm	55 cm	63 cm
Size M48	40-46 cm	48-56 cm	55 cm	63 cm
Size M56	40-46 cm	56-64 cm	55 cm	63 cm
Size L48	46-52 cm	48-56 cm	55 cm	68 cm
Size L56	46-52 cm	56-64 cm	55 cm	68 cm

## Sidepillow back

CK860030010 Standard sidepillow left  
 CK860040010 Standard sidepillow right  
 CK860030020 Pear-shaped sidepillow left  
 CK860040020 Pear-shaped sidepillow right



# Product overview

## Extra individual back support

<input type="checkbox"/>	CK970000010	Lumbar support cushion
<input type="checkbox"/>	CK970030020	Side support cushion short (combined with side plate) left
<input type="checkbox"/>	CK970040020	Side support cushion short (combined with side plate) right
<input type="checkbox"/>	CK970030030	Side support cushion long (combined with side plate) left
<input type="checkbox"/>	CK970040030	Side support cushion long (combined with side plate) right

## Seat cushion

<input type="checkbox"/>	CK240000010	Seat cushion flat
<input type="checkbox"/>	CK240000020	Seat cushion with abduction pad
<input type="checkbox"/>	CK240000030	Seat cushion with wedge-shaped front, height: 8 cm <sup>1</sup>
<input type="checkbox"/>	CK240000040	Seat/leg cushions with solid abduction <sup>2,3</sup>

1 Lower leg length increases by 8 cm i.c.m. wedge-shaped seat cushion

2 Only in combination with classic leg support frame

3 For sizes S40 and L56, the delivery time is supplied upon request

## LEGREST

<input type="checkbox"/>	CK110000010	Comfort legrests <sup>1</sup>
<input type="checkbox"/>	CK110000030	Heel straps
<input type="checkbox"/>	CK110000020	Knee cushions
<input type="checkbox"/>	CK110030040	Knee angle control by means of gas spring left
<input type="checkbox"/>	CK110040040	Knee angle control by means of gas spring right
<input type="checkbox"/>	CK110000080	Central legrest lower leg length Standard (LL = 48 - 64 cm) <sup>1</sup>
<input type="checkbox"/>	CK110000090	Central legrest lower leg length Extended (LL = 59 - 76 cm) <sup>1</sup>
<input type="checkbox"/>	CK110000100	Width-adjustable side panels for central legrest
<input type="checkbox"/>	CK110000110	Calf plate depth setting for central legrest
<input type="checkbox"/>	CK110000060	Classic leg support
<input type="checkbox"/>	CK110000130	Classic leg support frame for seat and leg cushions with solid abduction
<input type="checkbox"/>	CK110000120	Flex leg support <sup>2,3</sup>
<input type="checkbox"/>	CK110000070	Swing leg support <sup>1</sup>

1 Including adapter

2 Not possible i.c.w. seat cushion with abduction pad

3 In combination with the Aura is the minimum knee angle limited by battery box

## COVER<sup>1,2</sup>

<input type="checkbox"/>	CK250000010	Terry cover	..... pcs.	from
<input type="checkbox"/>	CK250000030	Cover seat cushion with abduction pad		+
<input type="checkbox"/>	CK250000040	Cover Classic leg support		+
<input type="checkbox"/>	CK250000060	Cover Flex leg support		+
<input type="checkbox"/>	CK250000050	Terry covers Swing leg support	..... pcs.	
<input type="checkbox"/>	CK250000070	Terry cover for solid abduction	..... pcs.	

1 With incontinentmaterial and openings for seat belt

2 Only available in blue

## ARMREST

<input type="checkbox"/>	CK100030010	Height-adjustable armrest wide left	
<input type="checkbox"/>	CK100040010	Height-adjustable armrest wide right	
<input type="checkbox"/>	CK100030050	Height- and angle adjustable armrest wide left	
<input type="checkbox"/>	CK100040050	Height- and angle adjustable armrest wide right	
<input type="checkbox"/>	CK100030020	Flex arm support left	
<input type="checkbox"/>	CK100040020	Flex arm support right	
<input type="checkbox"/>	CK100030040	Flex arm support weighted left	
<input type="checkbox"/>	CK100040040	Flex arm support weighted right	
<input type="checkbox"/>	CK100030030	Terry cover Flex arm support left <sup>1</sup>	..... pcs.
<input type="checkbox"/>	CK100040030	Terry cover Flex arm support right <sup>1</sup>	..... pcs.

1 Only available in blue

## HEADREST

<input type="checkbox"/>	CK140000010	Kelvin headrest small	
<input type="checkbox"/>	CK140000020	Kelvin headrest small with Edison mechanism	
<input type="checkbox"/>	CK140000030	Kelvin headrest big	
<input type="checkbox"/>	CK140000050	Terry cover for Kelvin headrest small <sup>1</sup>	..... pcs.
<input type="checkbox"/>	CK140000060	Terry cover for Kelvin headrest big <sup>1</sup>	..... pcs.
<input type="checkbox"/>	CK140000040	Granular-filled neck cushion	

1 Only available in blue



## Product overview

WORKTOP		
<input type="checkbox"/>	CK150000010	Perspex worktop <sup>1</sup>
<input type="checkbox"/>	CK150000020	Elbow cushions
1 Only in combination with height- and height/angle adjustable armrests		
ACCESSOIRES		
<input type="checkbox"/>	CK160000060	Back angle cushion
<input type="checkbox"/>	CK160000010	Refill packet 20 litre 2,5 mm granule-latex
<input type="checkbox"/>	CK160000020	Refill packet 20 litre latex for seat cushion
<input type="checkbox"/>	CK160000050	Xtra safe adapter for anti-tipping supports <sup>1</sup>
<input type="checkbox"/>	CK160000030	Seat belt
1 With the Xtra safe adapters for preventive safety the anti-tip support can be fitted further to the back		

For changes to the options specified above, please refer to the supplementary order form for alterations.